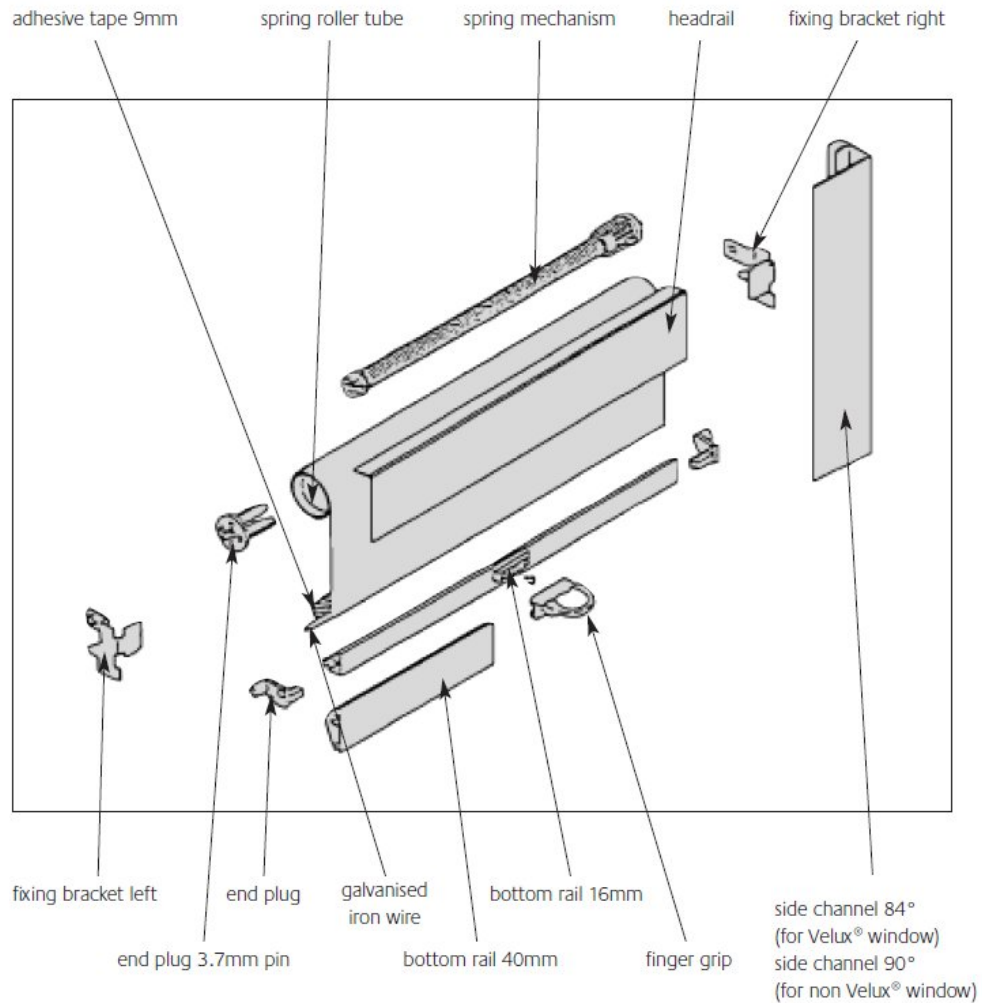


## Blind installation for Velux® window and standard window roller blinds

1. Prior to installation, please unpack your blind and make sure all the necessary components are present using the checklist below.
2. Please proceed to step by step guide.



## fitting

### You will receive:

- Assembled Roller Blind Cassette with fabric and Bottom Rail.
- 2 Side Channels.
- Screws.
- Finger Grip.

1. Prise out the grey tabs on the side of the window frame (found on a Velux® window) using a flat bladed screwdriver or remove any other obstructions so that the side channels can be fitted.
2. Place the side channels in the window frame with the notch at the top. The channels must be in line with the front edge of the frame for a Velux® window. Mount a screw in both side channels in the bottom hole. NB: the screw should not be tightened.
3. Carefully tilt the side channels from the frame, so that the assembled roller cassette can be placed into position.
4. Locate the black end plugs on the bottom rail into the track of the side channels, before pushing the assembled roller into place.
5. Tilt the side channels with the roller cassette back into the correct fitting position. Mount all screws in the side channels and fit the finger grip to the bottom rail with the screw provided.
6. Now the roller blind is ready for use. By tilting the grip, the lock function is disengaged and the roller blind can be moved freely up or down. When the grip is released, the roller blind is automatically locked.

